

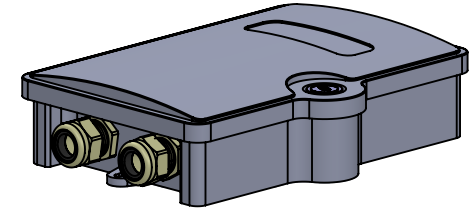
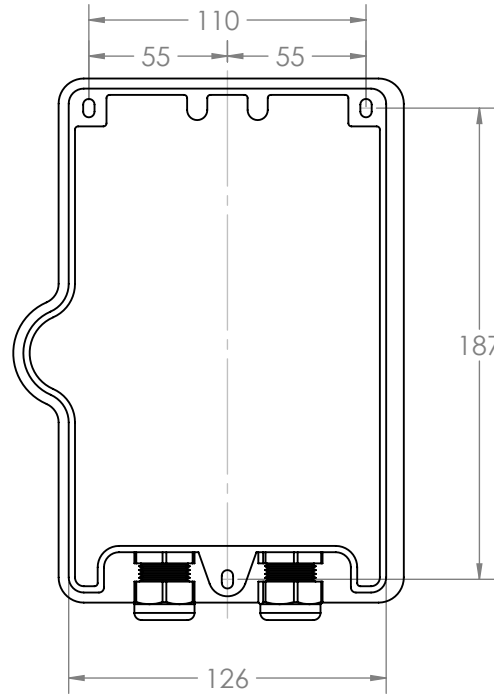
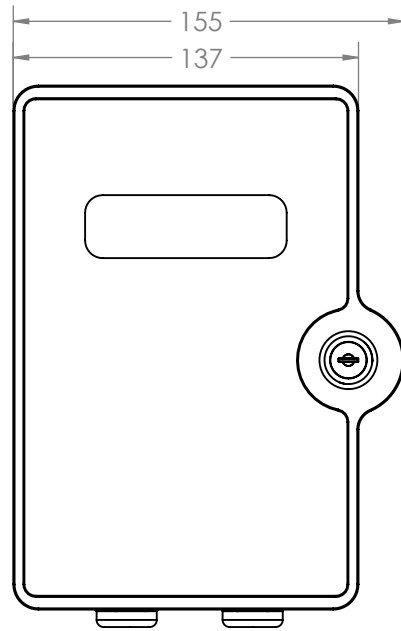
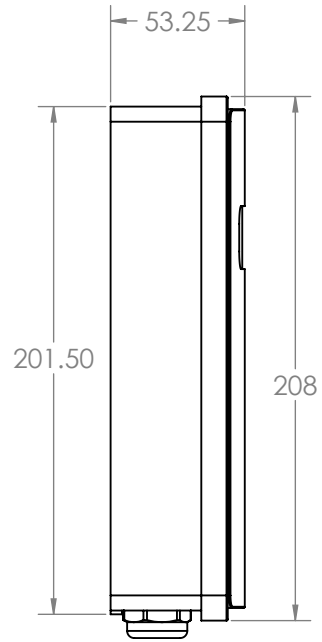
2

1

REV	DESCRIPTION	DATE	REL
0	INITIAL RELEASE	11/18/16	CW

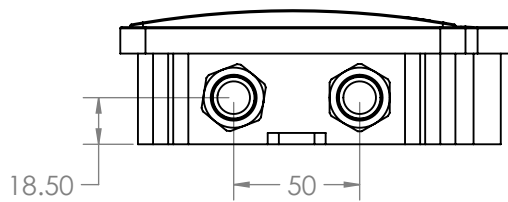
B

B



A

A



NOTES:
1. DIMENSIONS FOR REFERANCE

MATERIAL Plastic	TITLE: Fiber Optic Termination Box		
FINISH NA	SIZE A	DWG. NO. FOTB-C01 ASSY^0R	
Fibertronics Inc. 300 North Drive, suite 106 Melbourne, FL 32934 321-473-8933 www.fibertronics.com	SCALE: 1:3	DATE: 9/19/2016	SHEET 1 OF 1

DO NOT SCALE DRAWING

2

1 FOTB-C01 ASSY^0R